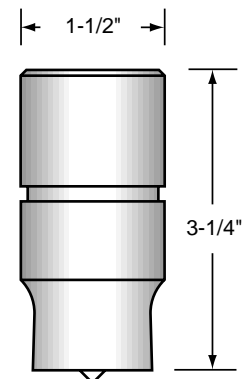
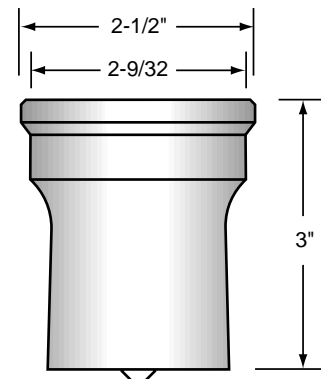


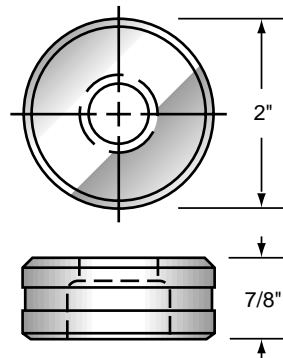
190



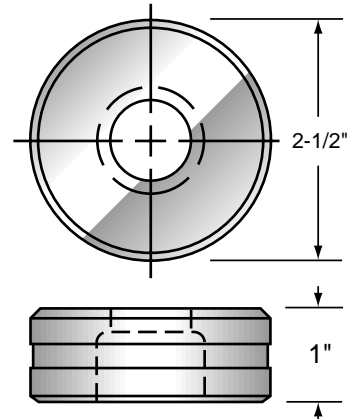
190-A



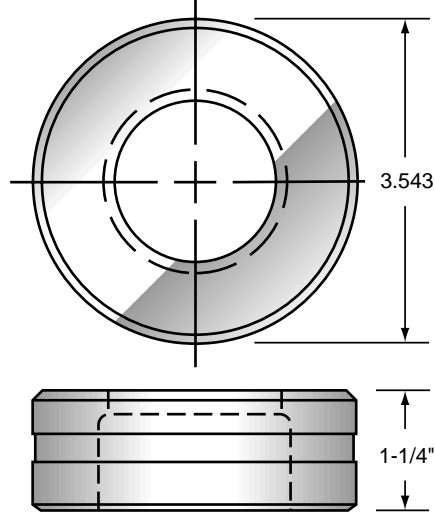
137



351

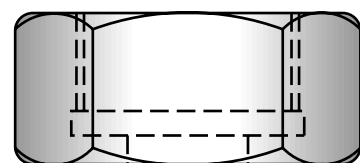


353

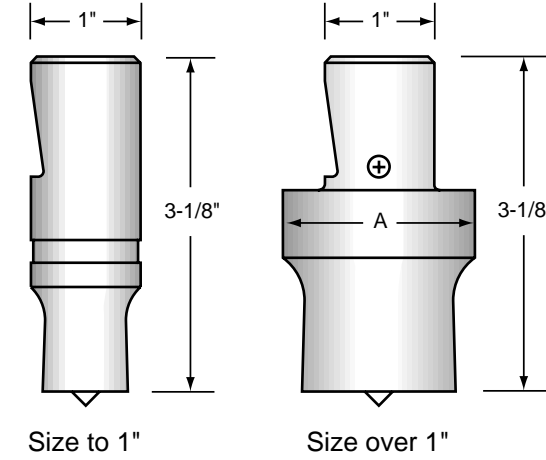


390

COUPLING NUTS



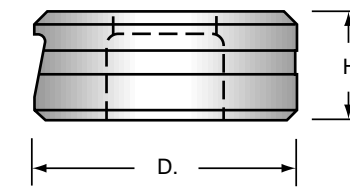
For both 190 and 190A



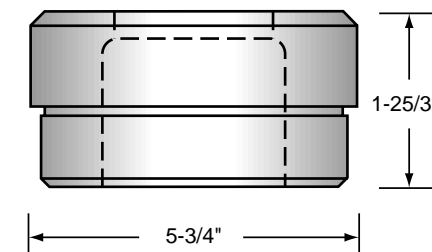
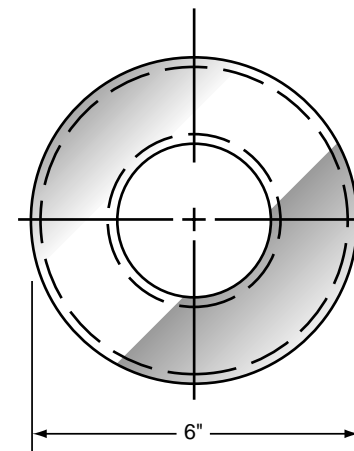
Size to 1"

Size over 1"

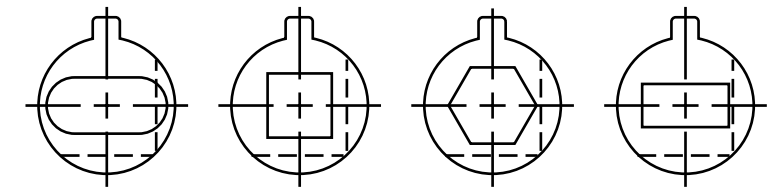
A
1-1/2
2
2-1/2
3
3-1/2
4
4-1/2
5



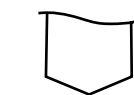
D	H
1-1/4	5/8
2-1/8	7/8
2-3/4	1-5/32
3-3/4	1-5/32
4-3/4	1-5/32
5-3/4	1-5/32



APS-2972



NOTE: Location of pin and spots are as shown for shaped punches and dies.



CONVEX



CONCAVE

Specify Shear Face Type.
Flat face with center point supplied if no shear is requested.