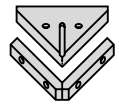


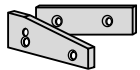
Coper



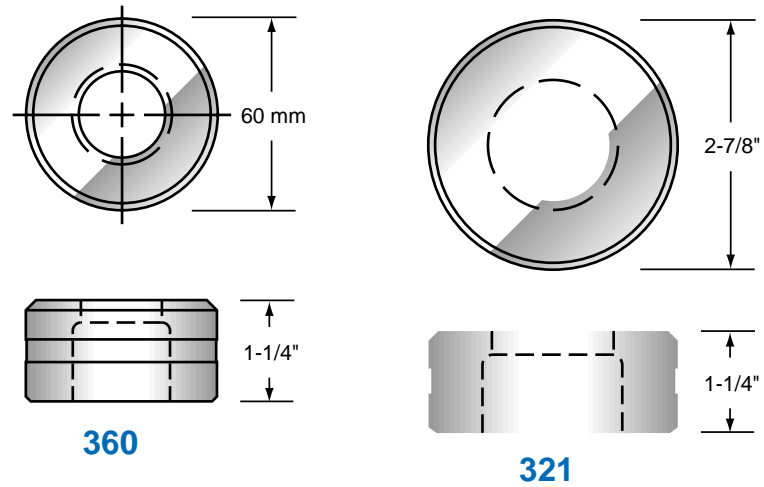
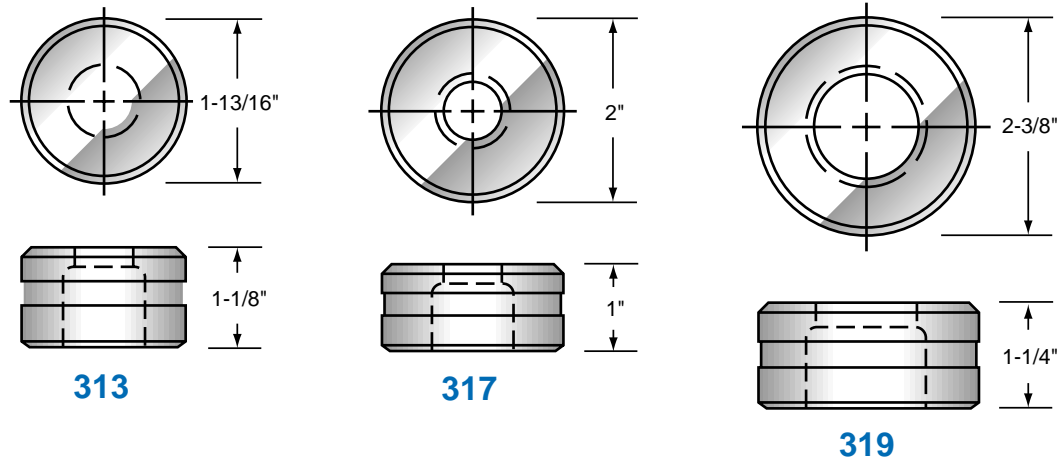
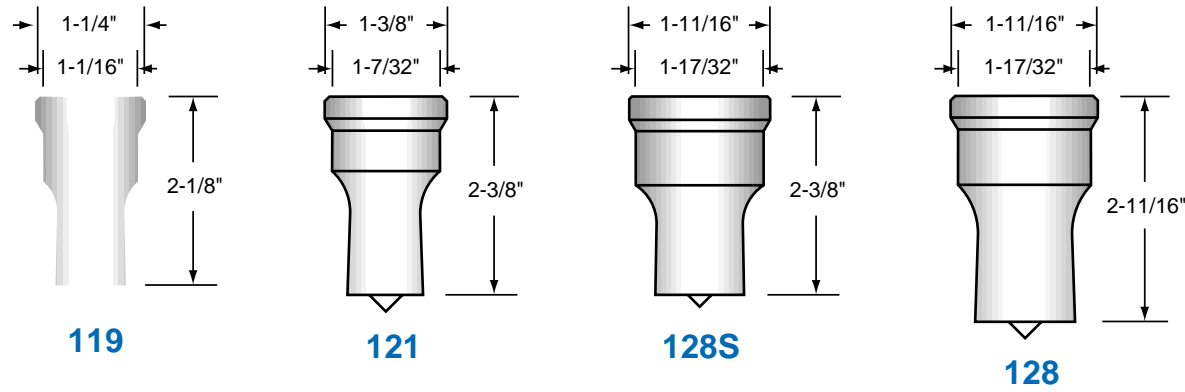
Notcher



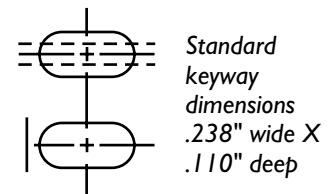
Bar Cutter



Shear Blades

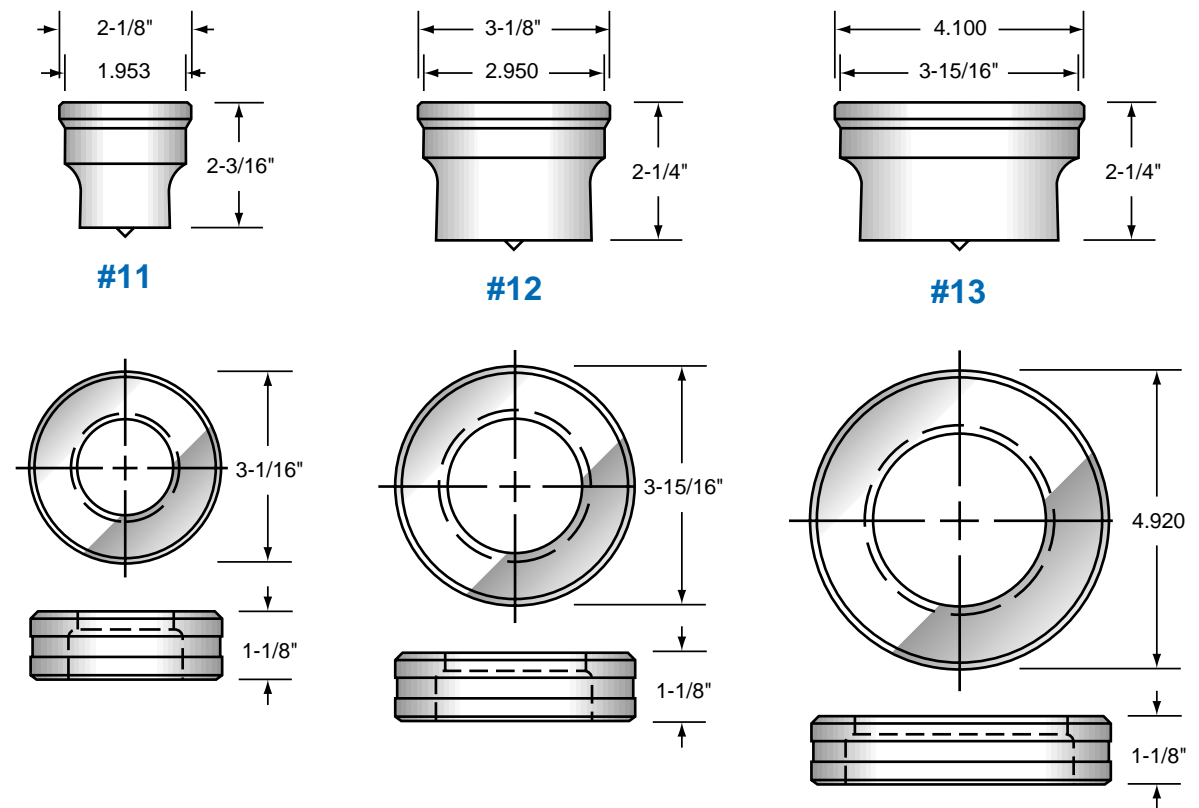


We recommend a keyway in all shaped punches and set screw spots on all shaped dies.

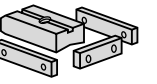
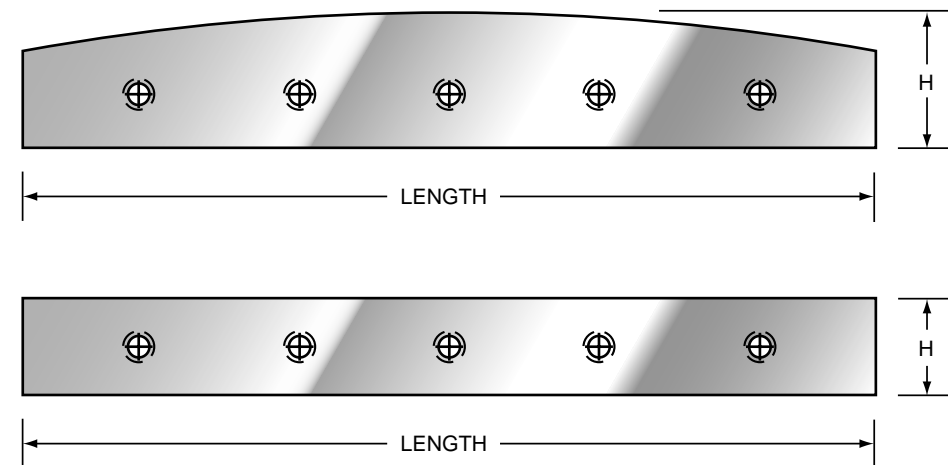


Please specify GEKA tooling for correct key and spot dimensions.

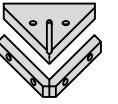
GEKA OVERSIZE



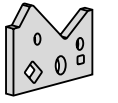
SHEAR BLADES



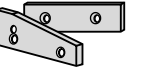
Coper



Notcher



Bar Cutter



Shear Blades